

PARTS
LIST

NECCHI

K132A

NU10K6Q01
Jan. 25, 2019

PLEASE NOTE:

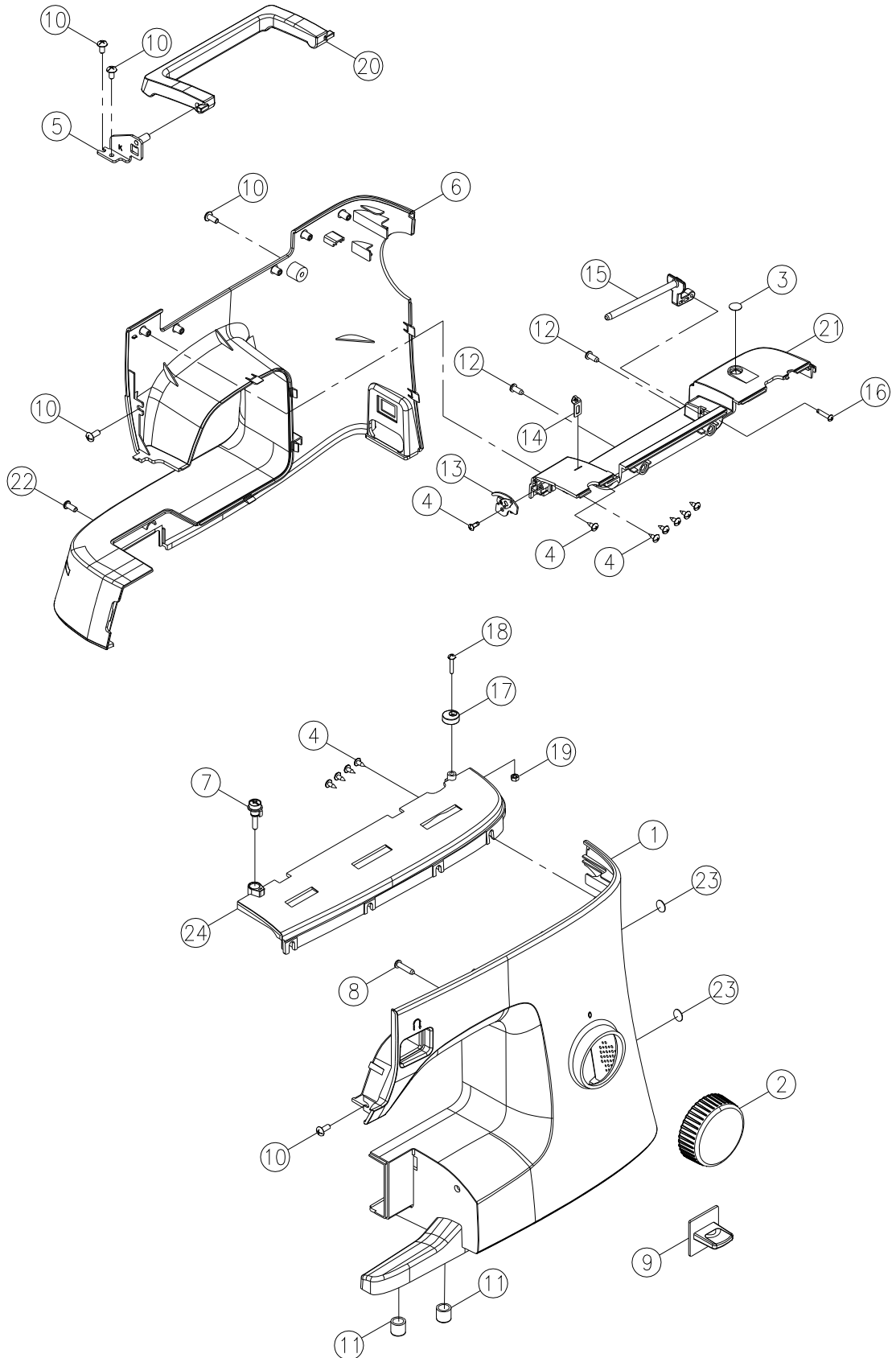
The parts mentioned without number in the parts list are not available.

Take care the parts for the model and the voltage application & spec. you need.

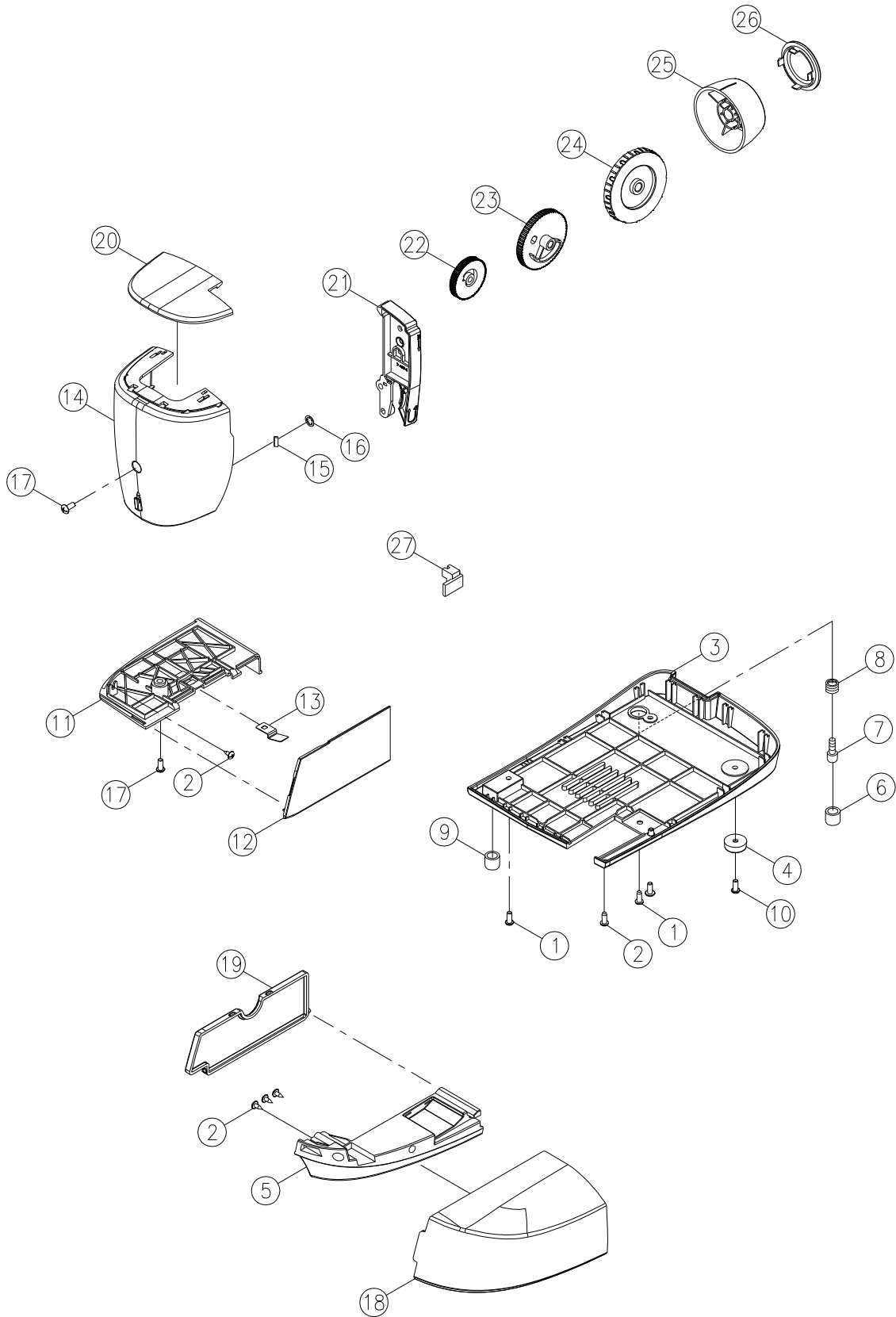
~ LIST OF CONTENTS ~

- A. PRINCIPAL COVER COMPONENTS 1
- B. PRINCIPAL COVER COMPONENTS 2
- C. UPPER SHAFT COMPONENTS
- D. PATTERN CONTACT MECHANISM
- E. PATTERN CAM MECHANISM
- F. PATTERN SELECTION COMPONENTS
- G. BOBBIN WINDER & THREAD TENSION
- H. NEEDLE BAR & PRESSER MECHANISM
- I. ZIGZAG MECHANISM
- J. BH MECHANISM & NEEDLE PLATE COMPONENTS
- K. FEED MECHANISM
- L. HOOK & LOWER SHAFT COMPONENTS
- M. MOTOR, POWER SUPPLY & ELECTRONIC PARTS
- N. ACCESSORIES (STANDARD)

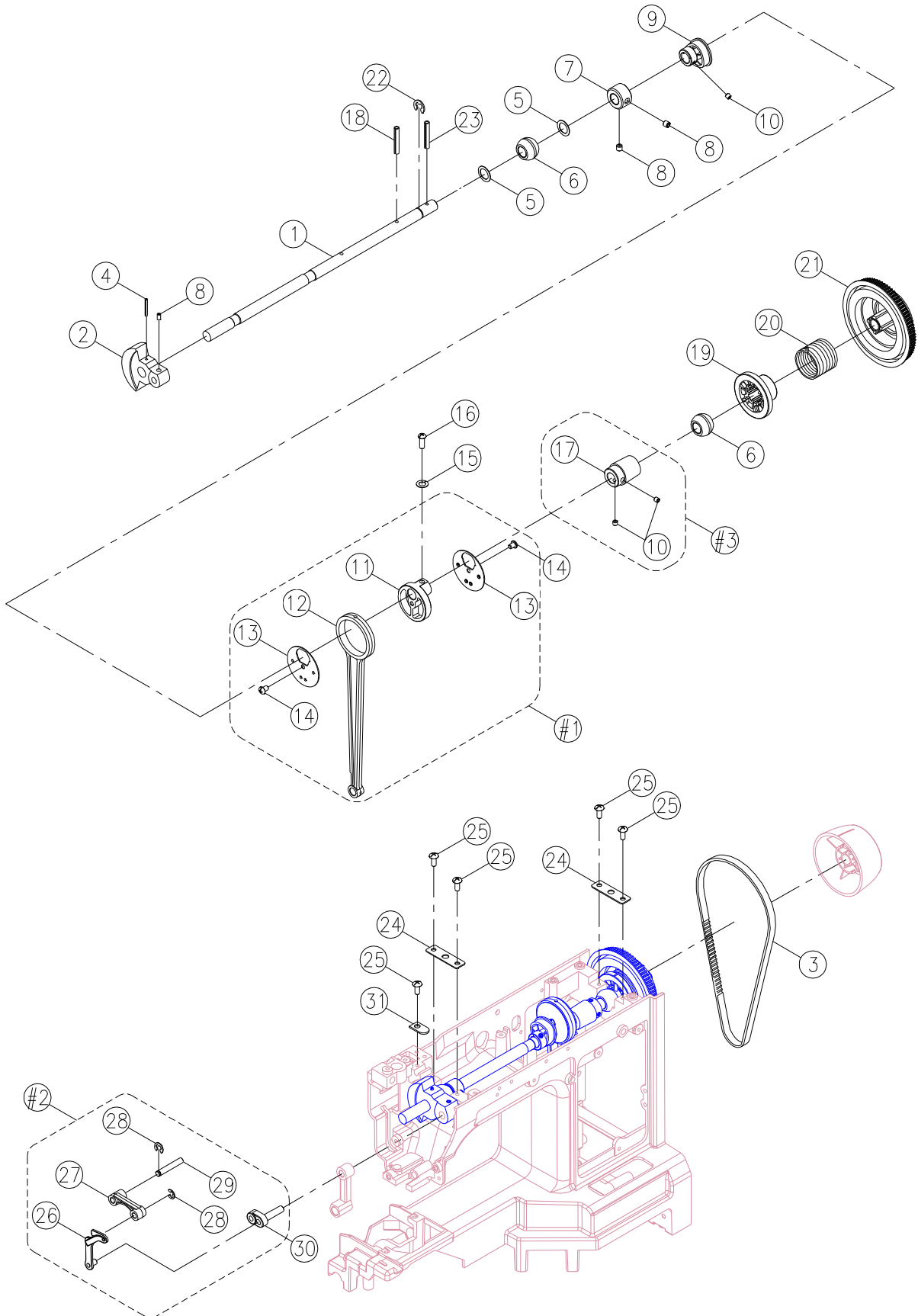
A. PRINCIPAL COVER COMPONENTS 1



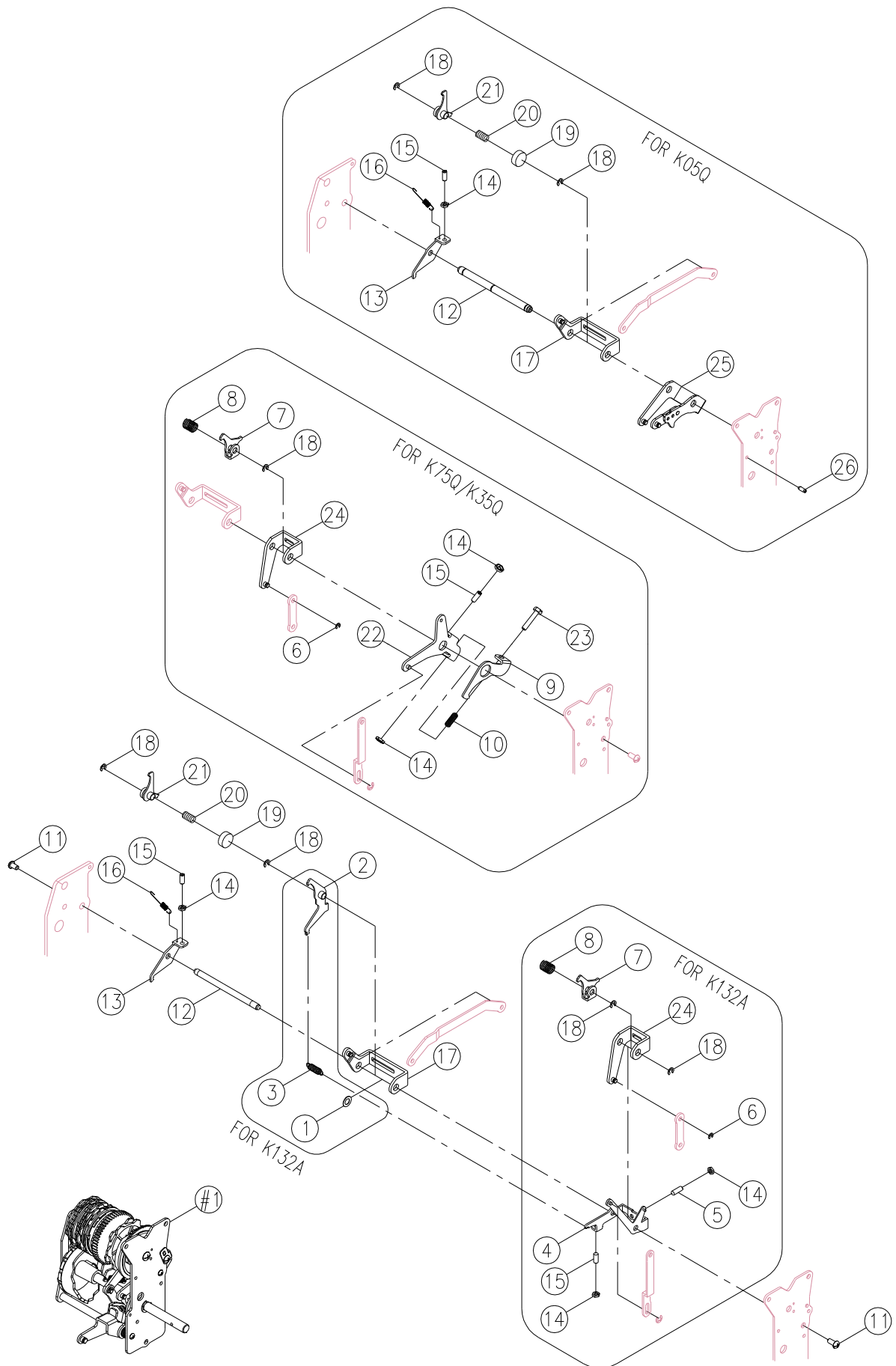
B. PRINCIPAL COVER COMPONENTS 2



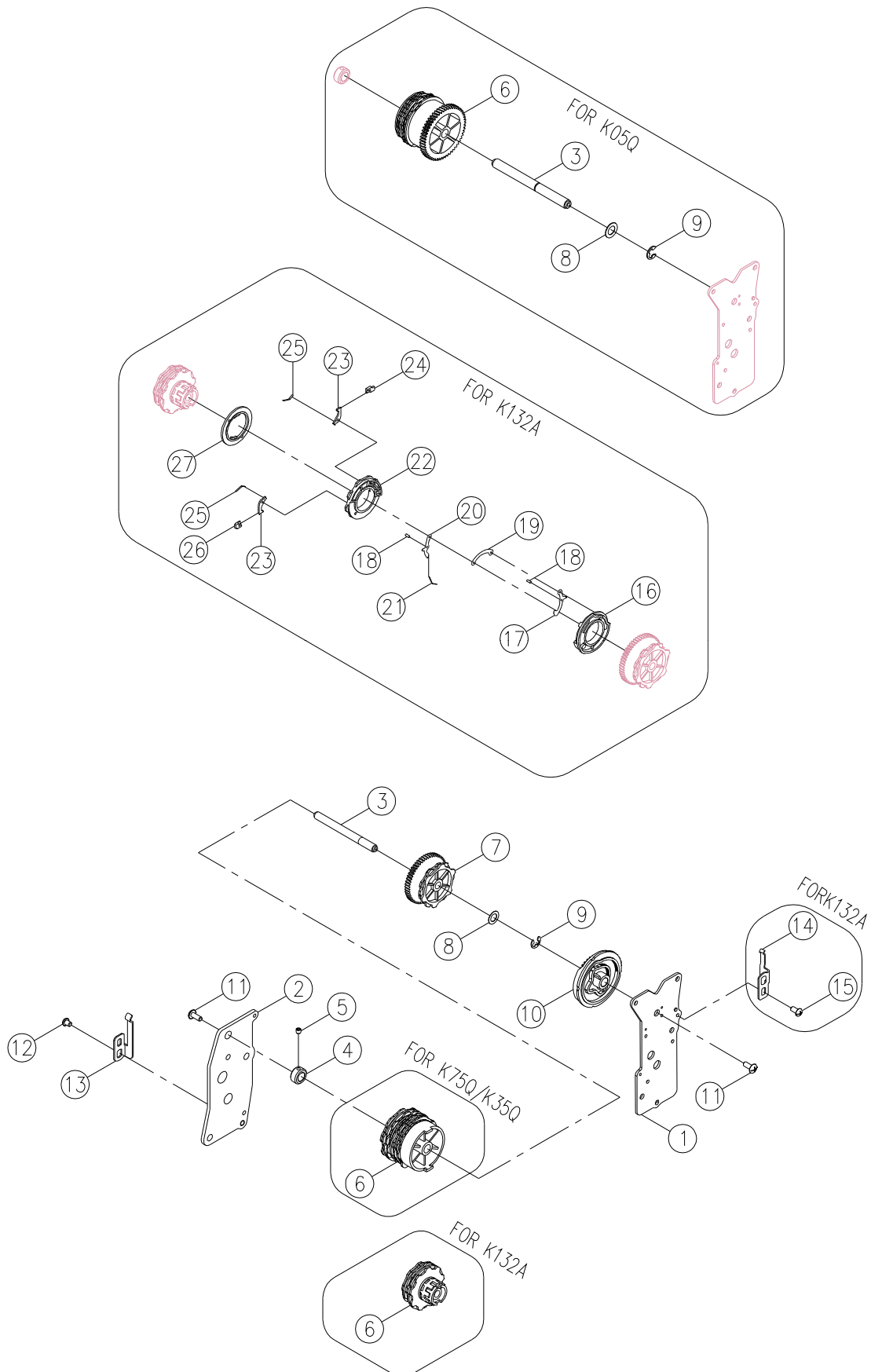
C. UPPER SHAFT COMPONENTS



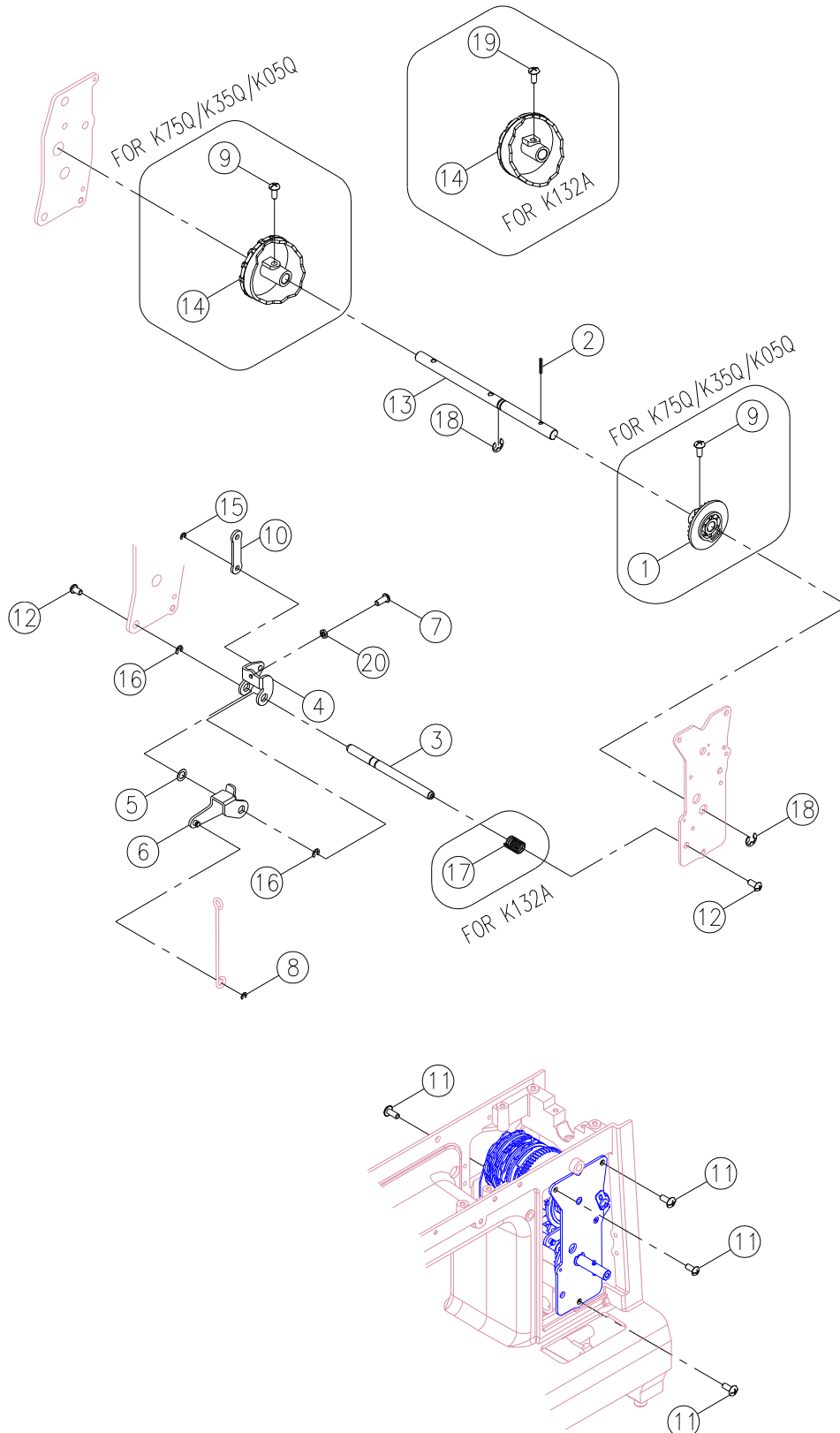
D. PATTERN CONTACT MECHANISM



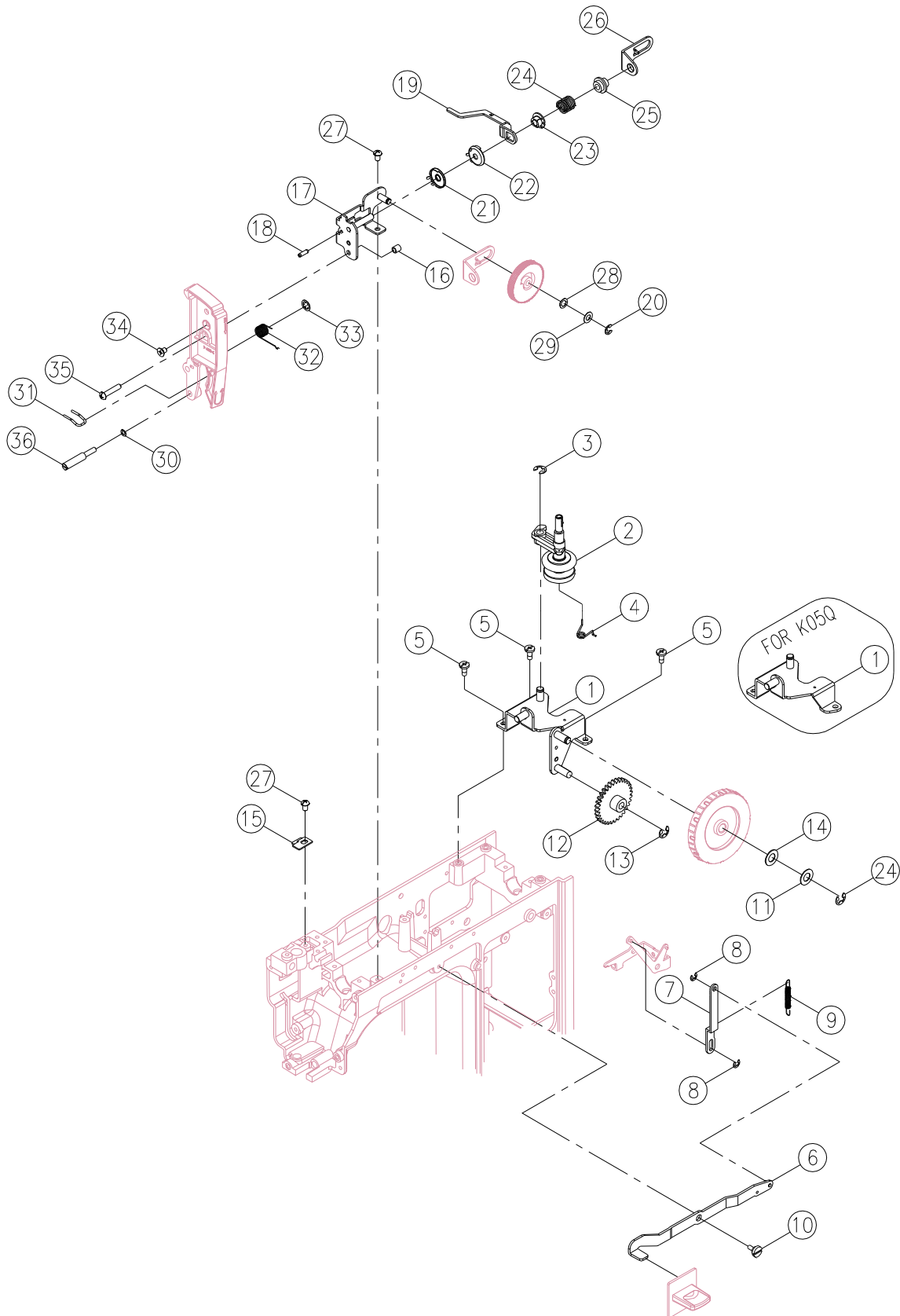
E. PATTERN CAM MECHANISM



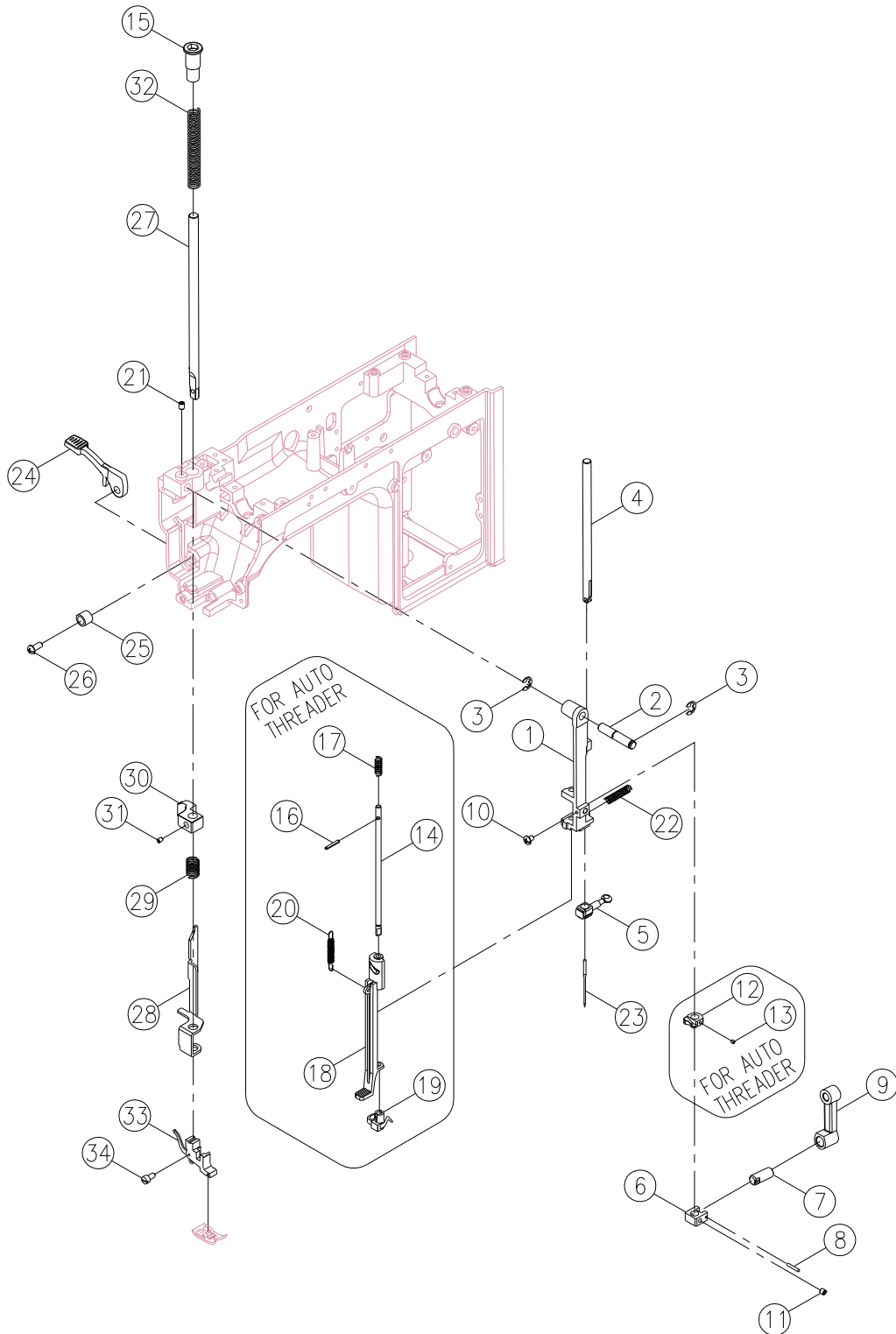
F. PATTERN SELECTION COMPONENTS



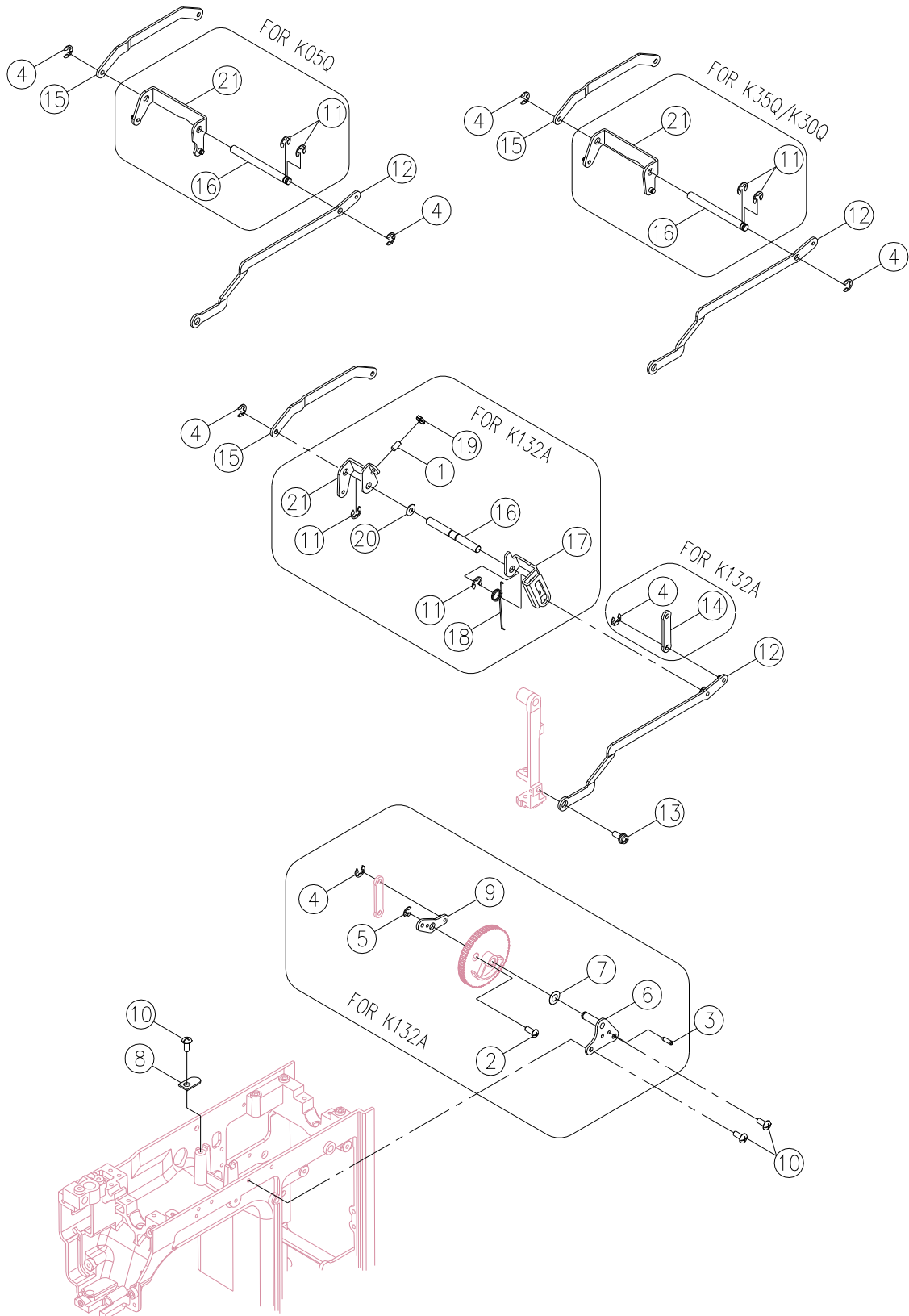
G. BOBBIN WINDER & THREAD TENSION



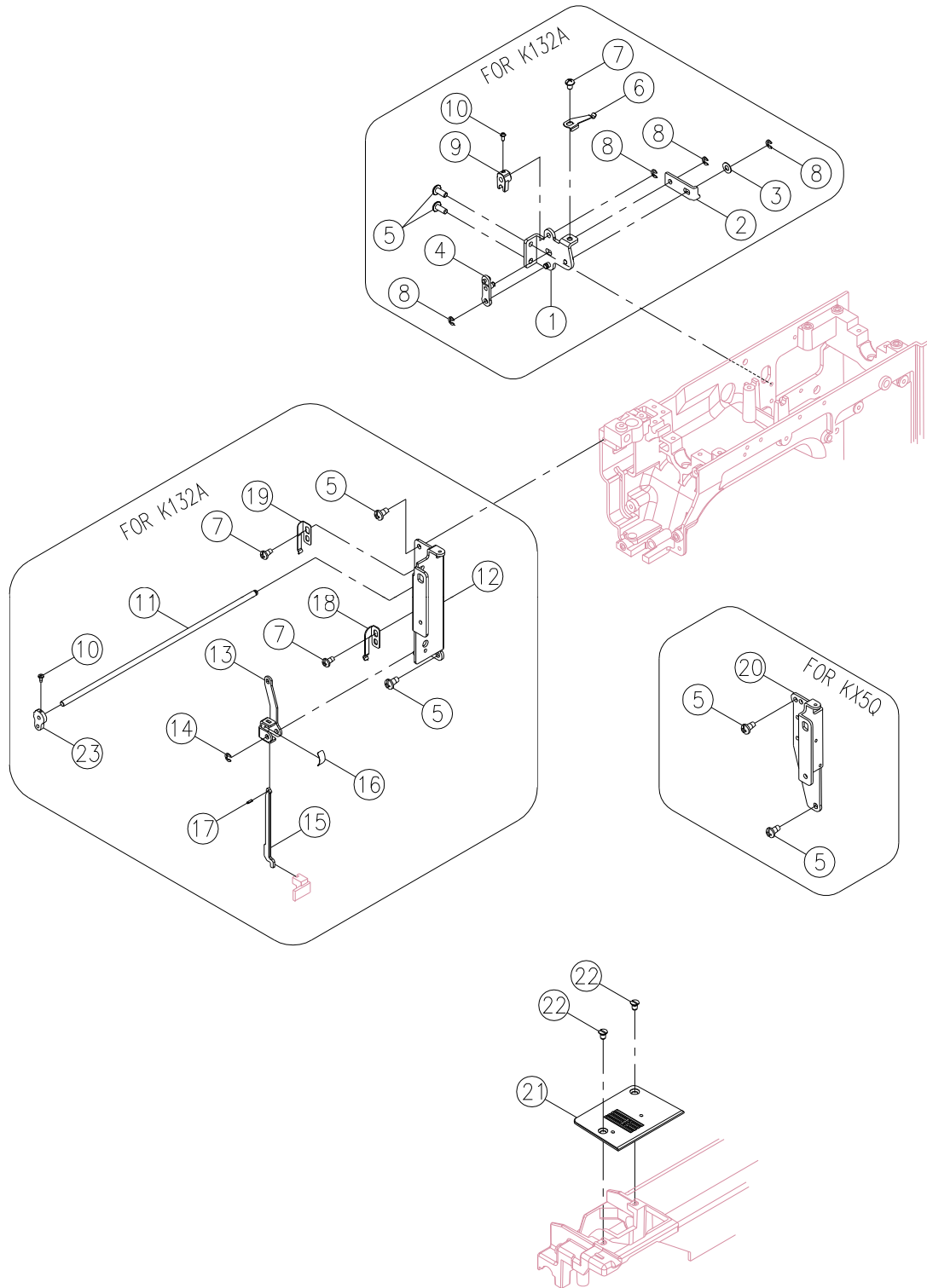
H. NEEDLE BAR & PRESSER MECHANISM



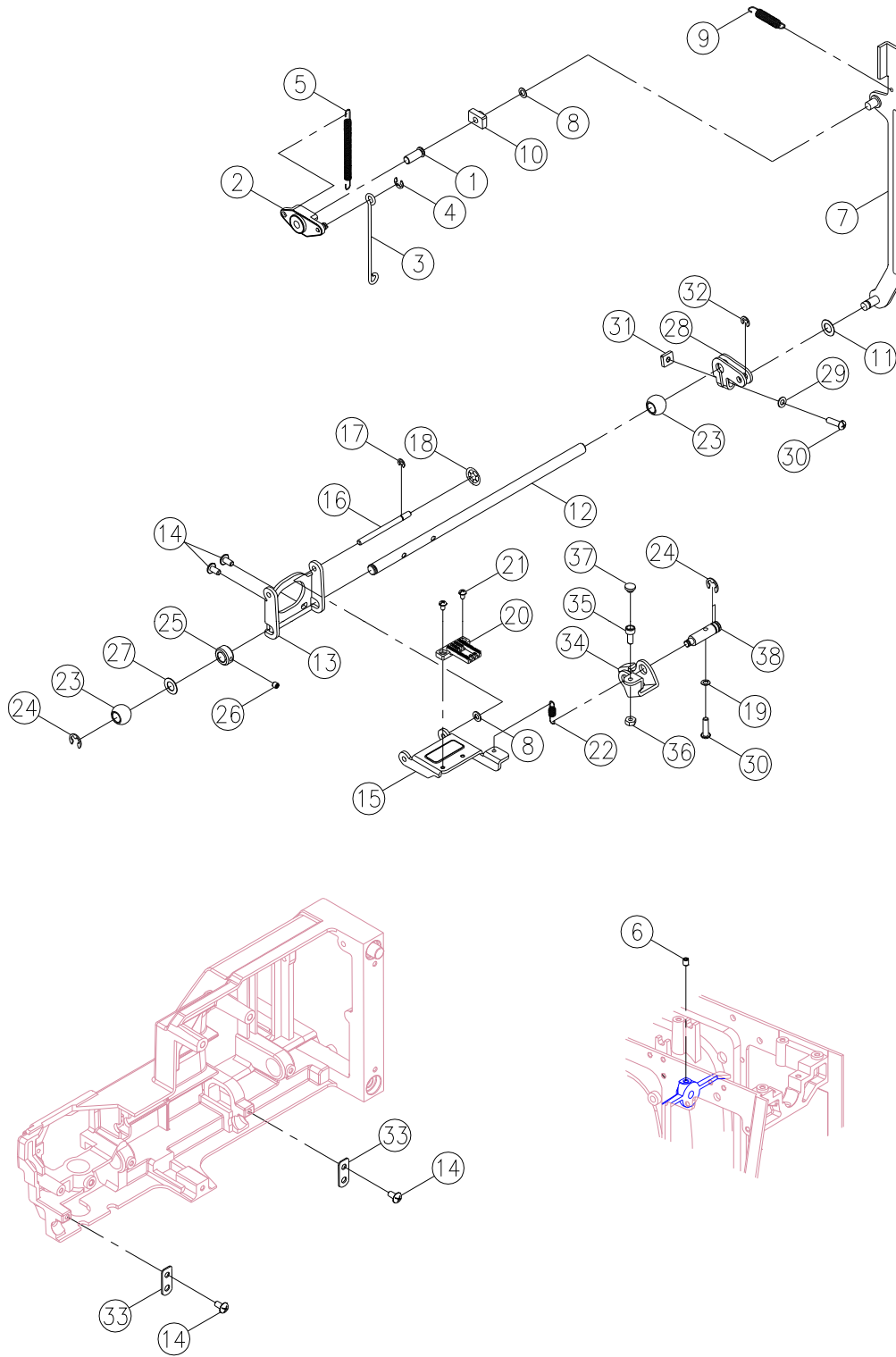
I. ZIGZAG MECHANISM



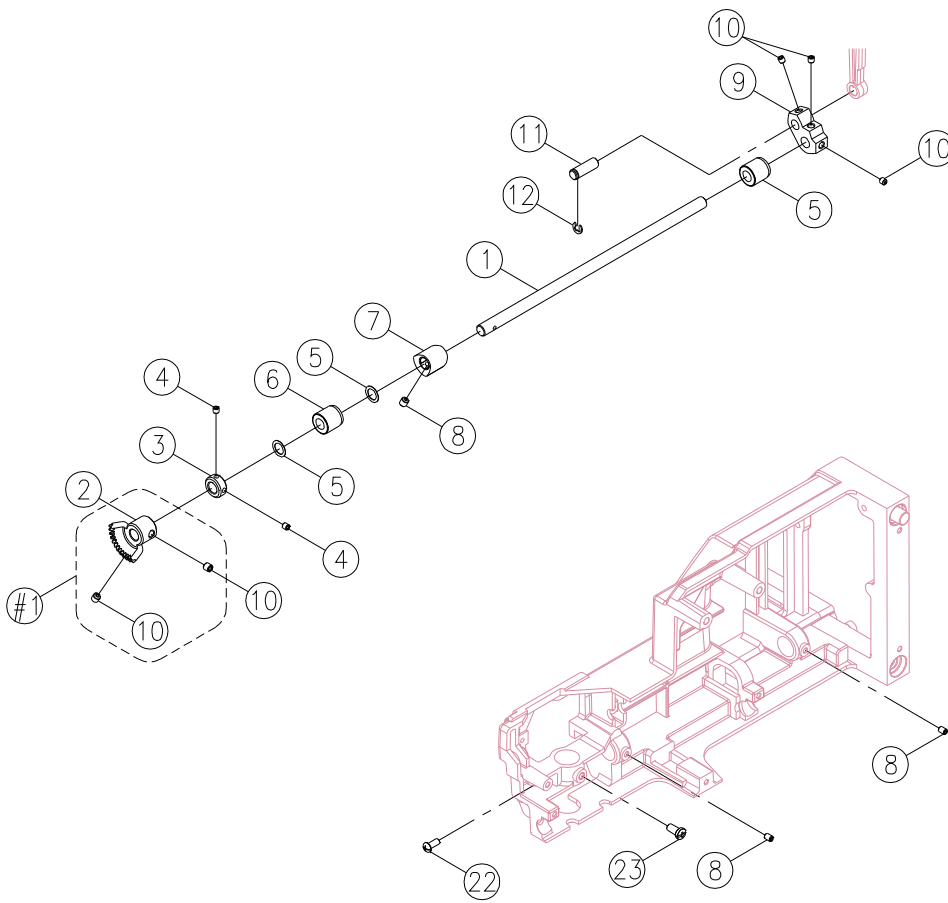
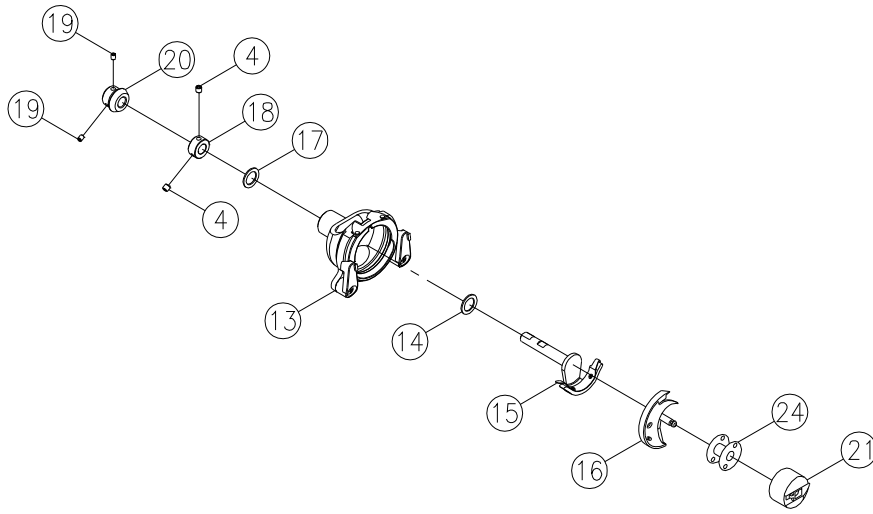
J. BH MECHANISM & NEEDLE PLATE COMPONENTS



K. FEED MECHANISM



L. HOOK & LOWER SHAFT COMPONENTS



N. ACCESSORIES (STANDARD)

